



ADE METALS DESIGN

BAFFLE GROOVE / HOONEYCOMB / VERTICAL TYPE / C TYPE BAFFLE

ADE METALS DESIGN

A simple space is transformed thanks to flat panels whose arrangement can be vertically or horizontally, thus creating a new visual perception not only through aesthetic lines but also thanks to a sensation of infinite extension.

It is a product with a long useful life, respectful with the environment, dust repellent, fire-resistant and has a high capacity for acoustic absorption.

ACOUSTIC INFORMATION

Perforation:

Open area 17~22%

Perforation diameter: 2.0mm / 45° Without acoustic backing

NRC 0.70

RECOMMENDED SPACES

- Medium-sized or large-format public spaces such as airports, subways, concert halls, gyms, offices, schools, universities, restaurants, malls, commercial premises, retail stores, large surfaces, industrial plants, meeting rooms, parking lots, etc.

* Its use in humid environments such as steam baths or swimming pools is not recommended.

COLOR

Natural Color



W01-17 / White



B05-04 / Grey



W01-13 / White



B12-02 / Silver Grey



W07-13 / Beige White



B01-03 / Black



W07-15 / Beige White



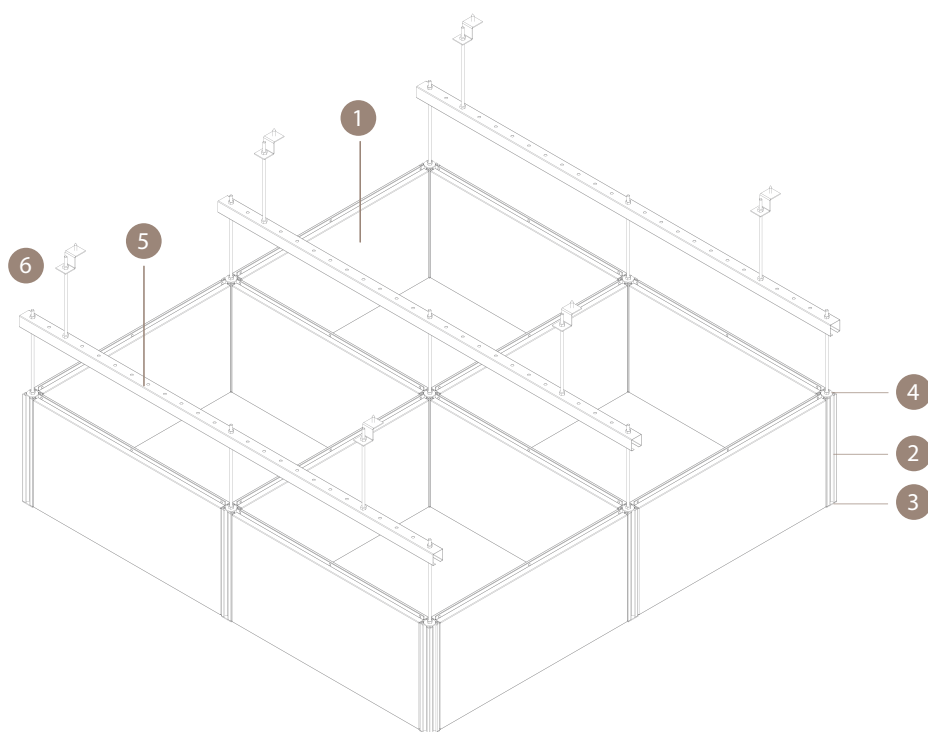
R08-13 / Brown

* Colors for reference only.

BAFFLE GROOVE

SYSTEM	MATERIAL	LEGTH (mm)	WIDTH (mm)	HEIGHT (mm)	THICKNESS (mm)	HEIGHT (mm) AFTER INTALLATION
Groove / Baffle	Pre-painted aluminium	585	30	615	0.5 / 1.0	150 / 200 / 250
		1170	30	1200	0.5 / 1.0	
	Pre-painted steel	585	30	615	0.5 / 1.0	
		1170	30	1200	0.5 / 1.0	

SYSTEM	MATERIAL	LEGTH (mm)	WIDTH (mm)	HEIGHT (mm)	THICKNESS (mm)	HEIGHT (mm) AFTER INTALLATION
Groove / Lay-in	Pre-painted aluminium	585	585	615	0.5 / 0.6	150 / 200 / 250
		1170	585	1200	0.8 / 1.0	
	Pre-painted steel	585	585	615	0.5 / 0.6	
		1170	585	1200	0.6 / 1.0	

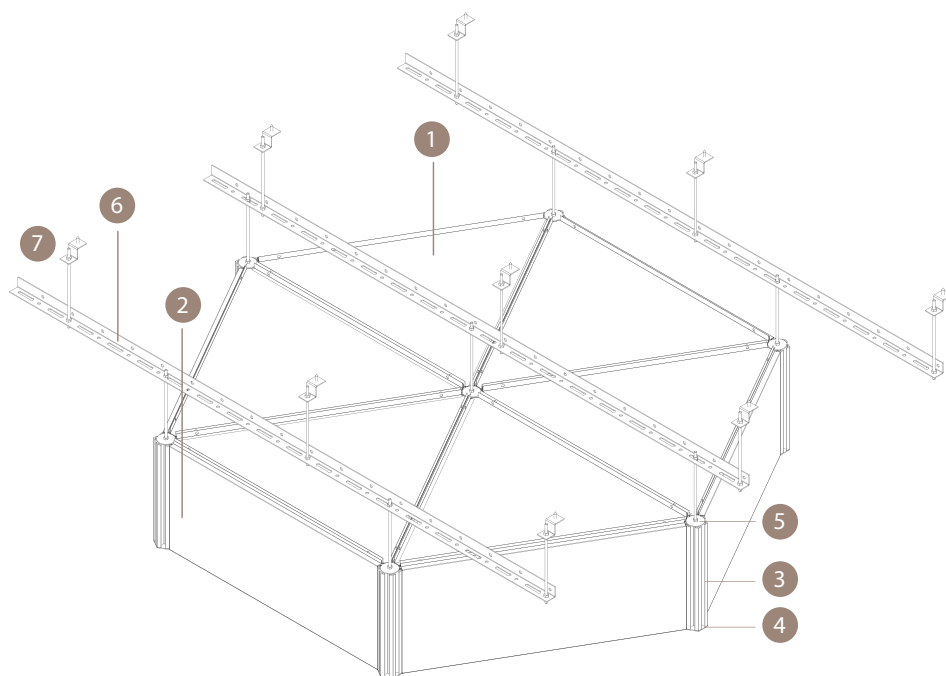


1. Baffle
2. Connector profile
3. End cap
4. Threaded system
5. Carrier
6. Hanger

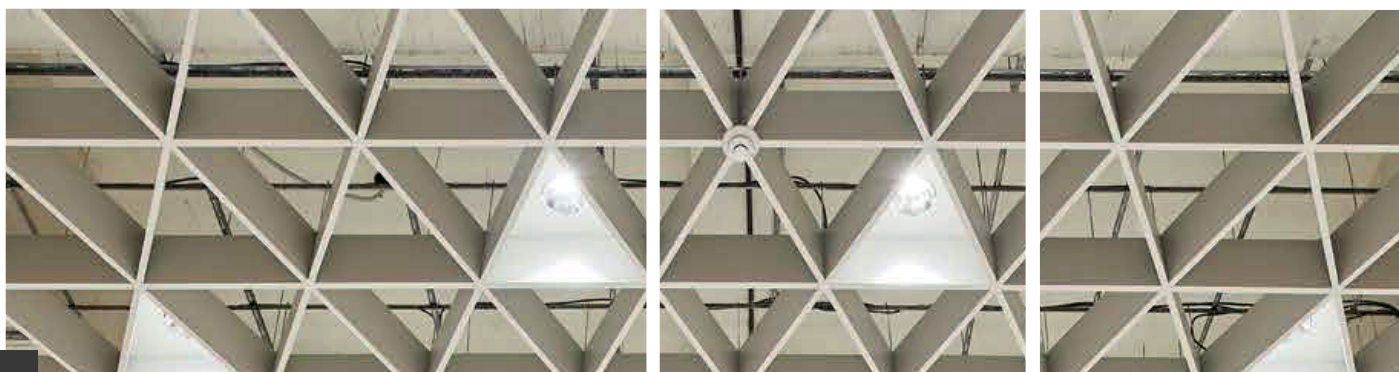
HOONEYCOMB

SYSTEM	MATERIAL	LENGTH (mm)	WIGHT (mm)	HEIGHT (mm)	THICKNESS (mm)	PITCH (mm)
Honeycomb / Baffle	Pre-painted aluminium	750	29.5	300	0.5	750 / 900
	Pre-painted steel					

SYSTEM	MATERIAL	LENGTH (mm)	WIGHT (mm)	HEIGHT (mm)	THICKNESS (mm)	PITCH (mm)
Honeycomb / Baffle triangular	Pre-painted aluminium	717	621	15	0.6	750 / 900
	Pre-painted steel					

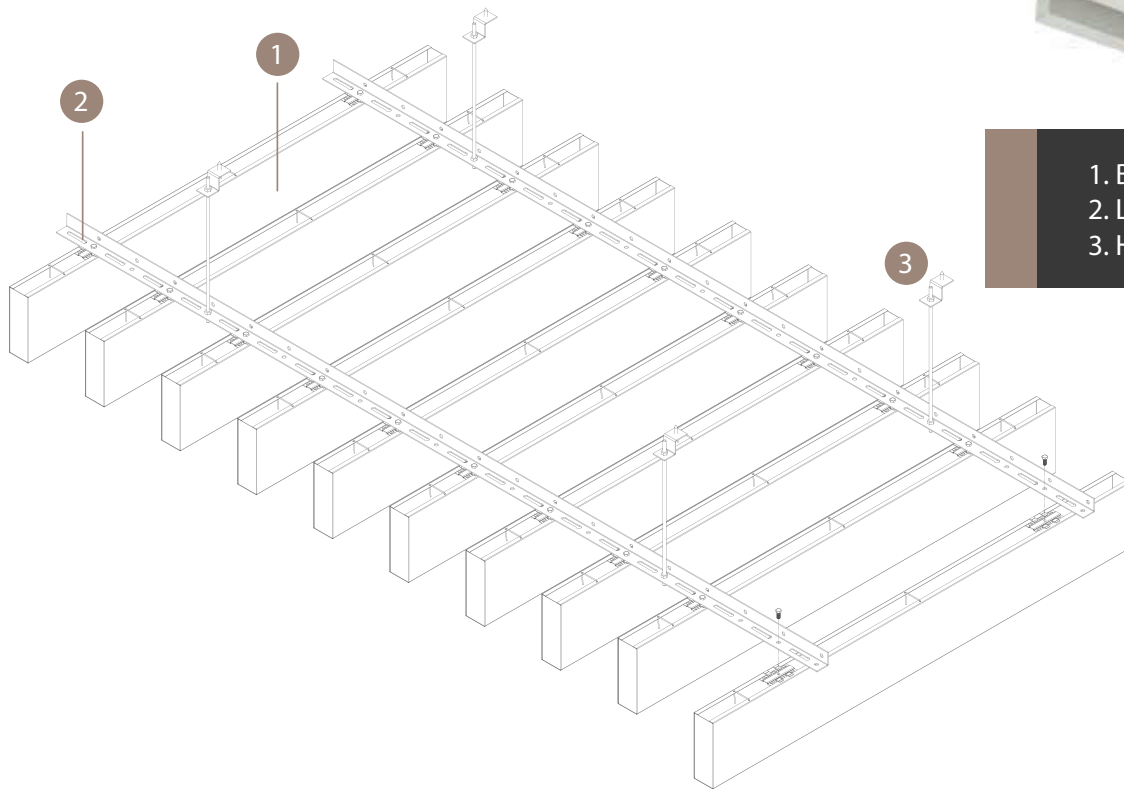


1. Triangular panel
2. Baffle
3. Connector profile
4. Base-cover
5. Threaded system
6. L-bar
7. Hanger

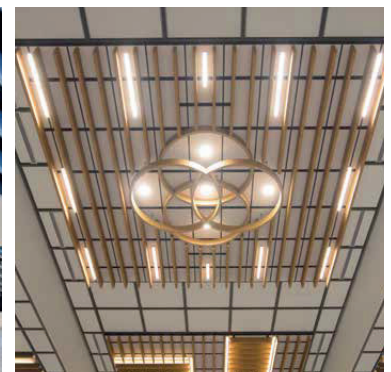


VERTICAL TYPE

SYSTEM	MATERIAL	LENGTH (mm)	WIGHTH (mm)	HEIGHT (mm)	THICKNESS (mm)
Vertical	Pre-painted aluminium	1100 / 1700 / 2300	30 / 50	100 / 150 / 200 / 250 / 300	0.5 / 1.0
	Pre-painted steel				

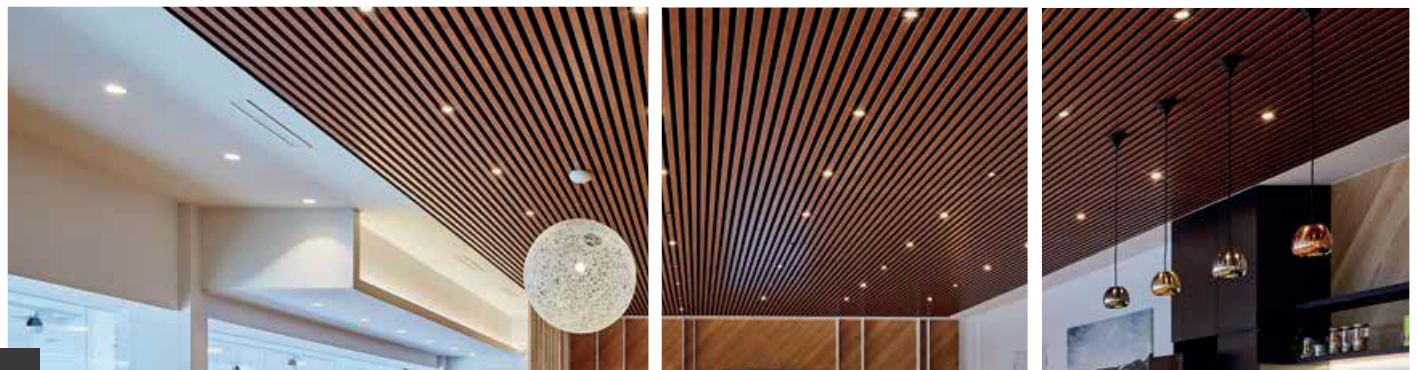
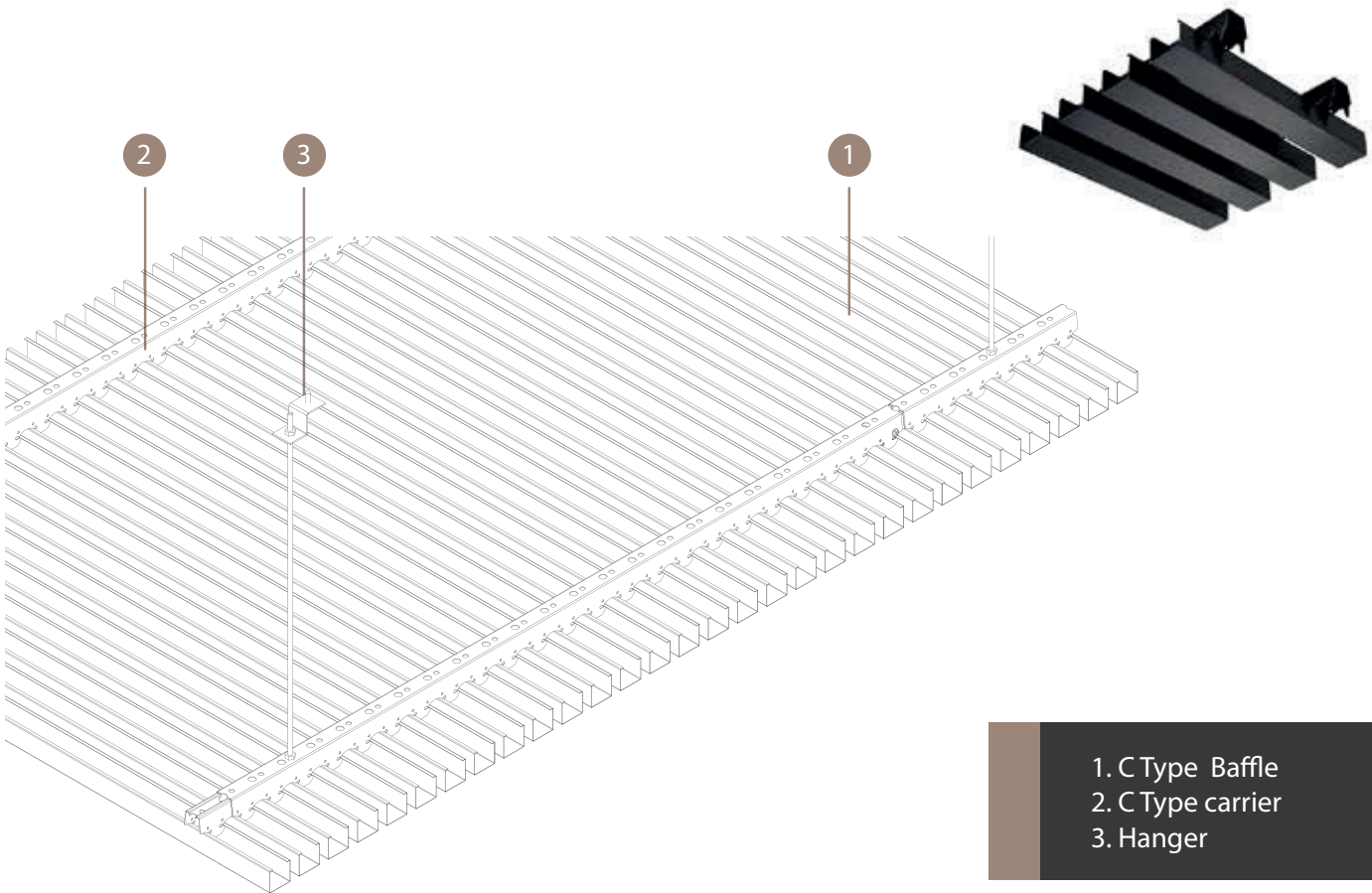


- 1. Baffle
- 2. L-bar
- 3. Hanger



C TYPE BAFFLE

SYSTEM	MATERIAL	LENGTH (mm)	WIDTH (mm)	THICKNESS (mm)	PITCH (mm)
C type Baffle	Aluminium - Powder coating	35 / 42.5	15 / 27 / 32 / 40	0.5	50
	Steel - Powder coating				60
	Aluminium - Wooden grain				75
	Steel Wooden grain				100



C TYPE BAFFLE VARIABLE HEIGHT

SYSTEM	MATERIAL	LENGTH (mm)	WIDTH (mm)	THICKNESS (mm)	PITCH (mm)
C type baffle variable height	Aluminium - Powder coating	35 / 42.5	Libre	0.5	50
	Steel - Powder coating				60
	Aluminium - Wooden grain				75
	Steel Wooden grain				100

